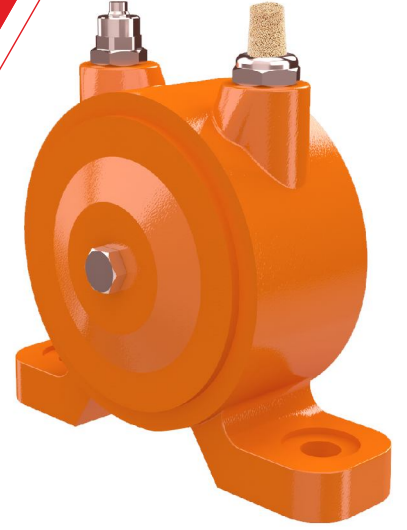


Kem-P® Vibration Motors

PV SERIES



✓

- KALITE / QUALITY
- TASARIM / DESIGN
- TEKNOLOJİ / TECHNOLOGY
- YENİLİK / INNOVATION
- GÜÇ / POWER
- TECRÜBE / KNOW-HOW
- SERVİS / SERVICE
- PERFORMANS / PERFORMANCE
- VERİMLİLİK / PRODUCTIVITY

www.kem-p.com

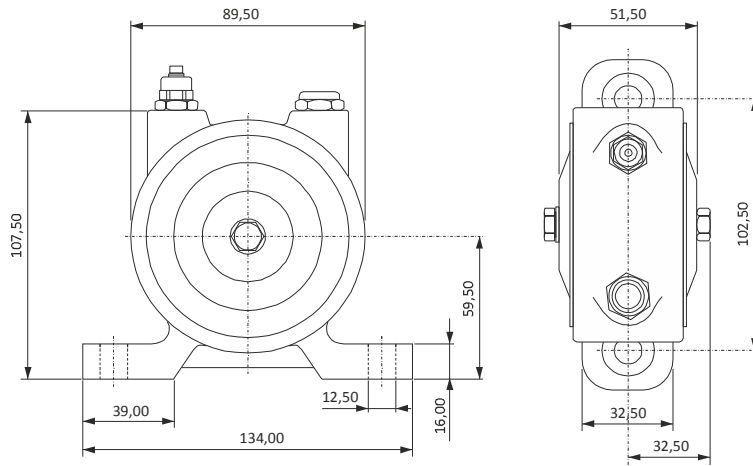


KEM-P VİBRASYON REV-00

Model Type	Devir - Santrüfjü Kuvveti - Hava Tüketimi Rotations Per Munite - Centrifugal Force - Air Consumption															Ağırlık Weight [Kg]
	4 bar			5 bar			6 bar			7 bar			8 bar			
	rpm [rpm]	S.K C.F [kg/f]	Hava Cons. [m ³ /1']	rpm [rpm]	S.K C.F [kg/f]	Hava Cons. [m ³ /1']	rpm [rpm]	S.K C.F [kg/f]	Hava Cons. [m ³ /1']	rpm [rpm]	S.K C.F [kg/f]	Hava Cons. [m ³ /1']	rpm [rpm]	S.K C.F [kg/f]	Hava Cons. [m ³ /1']	
PV 25	6600	69	0,4	7200	82	0,54	7900	98	0,64	8500	114	0,71	9000	128	0,86	1,9
PV 35	4000	72	0,53	4500	91	0,64	5100	117	0,73	5600	141	0,86	6000	161	1,00	3,0

Gövde Ölçüleri - Overall Dimensions (mm)

PV 25



PV 35

