

Ball Vibrators K

Ball vibrators, simple and good.
Wide range for many applications.



Properties

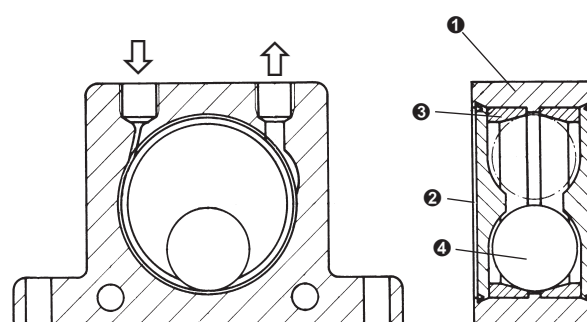
- Powerful
- Rated frequency 7'300 – 35'000 rpm
- Centrifugal force 130 – 4'050 N
- Continuously variable
- Applicable up to 100°C
- HT version up to 150°C on request
- Also available with ATEX certification

Field of application

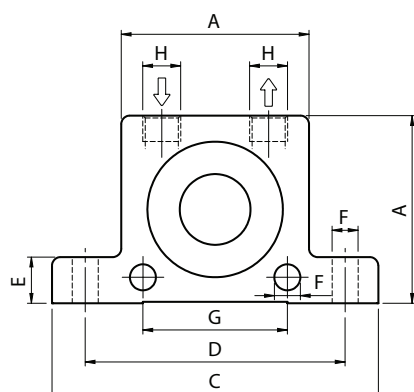
- Emptying of bunkers
- Screen filters
- Vibrating tables
- Preventing adhesions in pipelines and silos
- Moving of bulk solids

Construction

- Vibration due to rotating ball running on hardened, ground steel guides.
- Nylon plates on both sides to support the ball and as protection against dust and water.
- Housing with 4 mounting bores.



- ❶ Housing of extruded aluminium alloy, powder-coated
- ❷ Nylon caps
- ❸ Guides made of hardened steel
- ❹ Hardened ball



Dimensions and weights

Model	A [mm]	Width [mm]	C [mm]	D [mm]	E [mm]	F [mm]	G [mm]	H Thread	Weight [kg]
K-8	50	20	86	68	12	7	40	G 1/4"	0.13
K-10	50	20	86	68	12	7	40	G 1/4"	0.13
K-13	65	24	113	90	16	9	50	G 1/4"	0.26
K-16	65	27	113	90	16	9	50	G 1/4"	0.30
K-20	80	33	128	104	16	9	60	G 1/4"	0.53
K-25	80	38	128	104	16	9	60	G 1/4"	0.63
K-30	100	44	160	130	20	11	80	G 3/8"	1.13
K-36	100	50	160	130	20	11	80	G 3/8"	1.34

Technical data

Model	Vibrations [x 1000 min ⁻¹]			Centrifugal force [N]			Air consumption [l/min]		
	2 bar	4 bar	6 bar	2 bar	4 bar	6 bar	2 bar	4 bar	6 bar
K-8	25.5	31.0	35.0	130	260	360	83	145	195
K-10	22.5	28.0	34.5	250	470	710	92	150	200
K-13	15.0	18.5	22.5	320	550	870	94	158	225
K-16	13.0	17.0	19.5	450	800	1'100	122	200	280
K-20	10.5	14.5	16.5	720	1'220	1'720	130	230	340
K-25	9.2	12.2	14.0	930	1'570	2'050	160	290	425
K-30	7.8	9.7	12.5	1'510	2'470	3'210	215	375	570
K-36	7.3	9.0	10.0	2'060	3'150	4'050	260	475	675