



# AVIBRO®

# AVM-M

TEKNİK KATALOG | 2020  
TECHNICAL CATALOGUE

TEKNOLOJİ / TECHNOLOGY →

KALİTE / QUALITY →

PERFORMANS / PERFORMANCE →

VERİMLİLİK / PRODUCTIVITY →

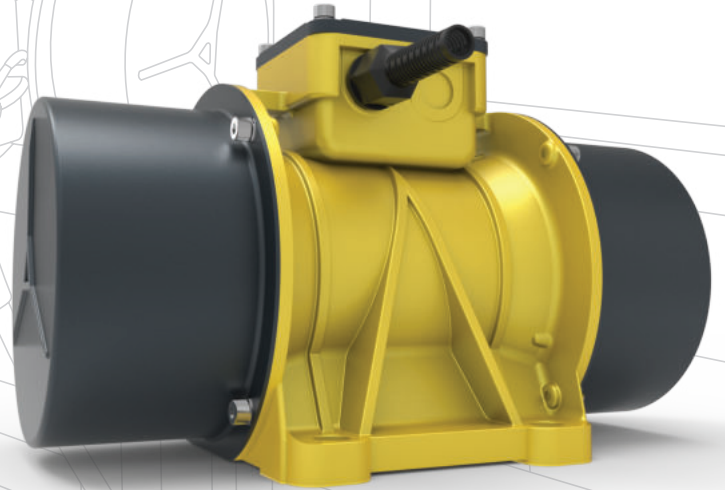
GÜÇ / POWER →

TASARIM / DESIGN →

YENİLİK / INNOVATION →

TECRÜBE / KNOW-HOW →

SERVİS / SERVICE →



www.avibro.com

www.avibro.com

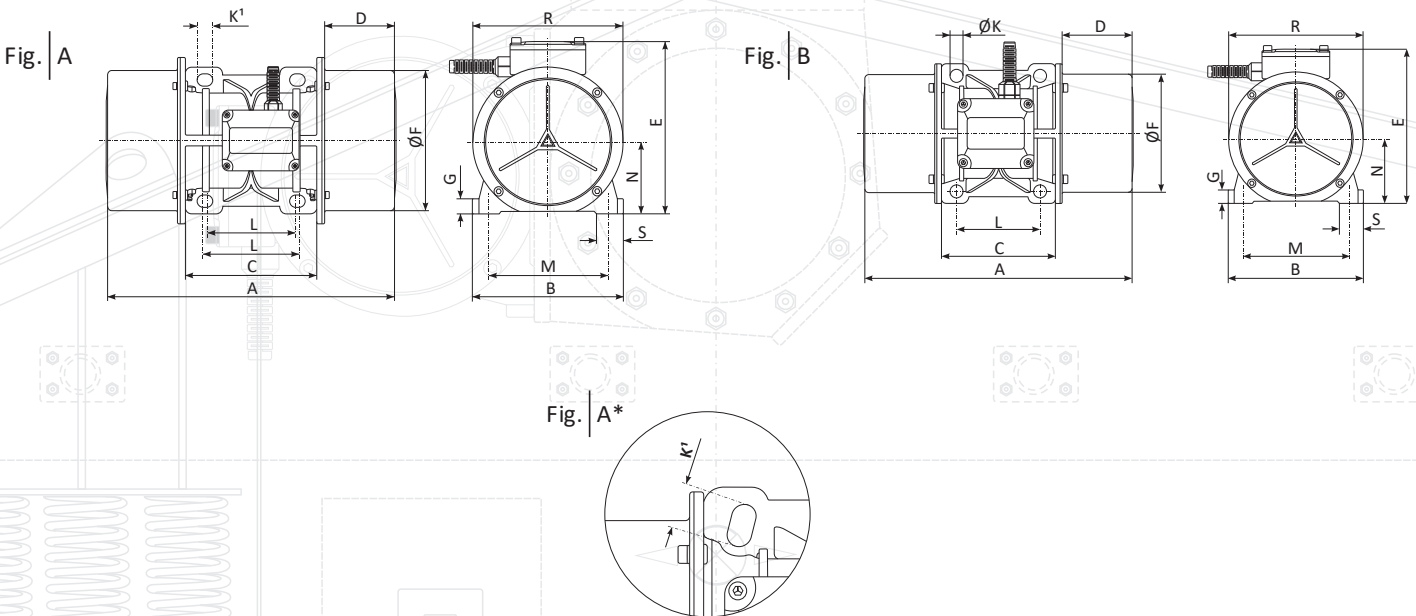
## AVM-M 2 poles 3000rpm-50Hz / 3600rpm-60Hz

| Açıklama / Description |            |            | Mekanik Özellikler / Mechanical Specifications            |      |      |      |  |      |      |      | Elektriksel Özellikler / Electrical Specifications |      |                                       |              |         |      |
|------------------------|------------|------------|---|------|------|------|--|------|------|------|--|------|---------------------------------------|--------------|---------|------|
| Single-phase           | Model Type | Gövde Size | Santrüfjü Kuvveti<br>Centrifugal Force<br>( Kg/F ) ( kN ) |      |      |      | (*)Statik Moment<br>Statical Moment(m <sup>3</sup> )<br>( Kgmm ) |      |      |      | Giriş Gücü<br>Input Power<br>( W )                 |      | Nominal Akım<br>Nom. Current<br>( A ) |              | IA / IN |      |
|                        |            |            | 50Hz  | 60Hz | 50Hz | 60Hz | 50Hz   | 60Hz | 50Hz | 60Hz | 50Hz   | 60Hz | 220V<br>50Hz                          | 115V<br>60Hz | 50Hz    | 60Hz |
|                        |            |            | AVM-M 65/3  | 10   | 61   | 77   | 0,59   | 0,75 | 6,1  | 7,6  | 4,9  | 4,7  | 150                                   | 165          | 0,55    | 1,10 |
| AVM-M 130/3            | 10         | 153        | 144   | 1,50 | 1,41 | 15,2 | 14,3   | 5,4  | 5,1  | 180  | 180  | 0,80 | 1,25                                  | 2,64         | 2,96    |      |
| AVM-M 200/3            | 10         | 214        | 231   | 2,09 | 2,26 | 21,3 | 22,9   | 5,7  | 5,4  | 180  | 180  | 0,80 | 1,25                                  | 2,64         | 2,96    |      |
| AVM-M 300/3            | 20         | 323        | 311   | 3,16 | 3,05 | 32,1 | 30,9   | 8,5  | 8,2  | 280  | 290  | 1,00 | 1,55                                  | 3,50         | 4,15    |      |
| AVM-M 400/3            | 20         | 421        | 443   | 4,13 | 4,34 | 41,8 | 44,0   | 8,9  | 8,5  | 370  | 400  | 1,25 | 2,30                                  | 4,10         | 4,35    |      |
| AVM-M 500/3            | 30A        | 565        | 591   | 5,54 | 5,79 | 56,2 | 58,7   | 14,6 | 14,0 | 470  | 520  | 1,70 | 3,30                                  | 4,15         | 4,60    |      |
| AVM-M 650/3            | 30A        | 674        | 687   | 6,61 | 6,73 | 66,9 | 68,3   | 14,9 | 14,4 | 550  | 600  | 2,15 | 4,20                                  | 4,25         | 4,70    |      |
| AVM-M 760/3            | 30A        | 751        | 766   | 7,36 | 7,51 | 74,6 | 76,1   | 15,4 | 14,7 | 550  | 650  | 2,15 | 4,40                                  | 4,30         | 4,90    |      |

(\*) Working moment = 2x static moment

la / ln = başlangıç akımı ile maksimum akım arasındaki oran./ ratio between start-up current and maximum current.

| Model Type   |            |            | Gövde Ölçüleri - Overall Dimensions (mm) |  |       |     |      |       |     |       |         |         |      |                |      |    |      |      |
|--------------|------------|------------|--|--|-------|-----|------|-------|-----|-------|---------|---------|------|----------------|------|----|------|------|
| Single-phase | Model Type | Gövde Size | Fig.                                     | Gövde Ölçüleri - Overall Dimensions (mm) |       |     |      |       |     |       |         |         |      |                |      |    |      |      |
|              |            |            |  | A  | B     | C   | D    | E     | ØF  | R     | L       | M       | ØK   | K <sup>1</sup> | G    | S  | N    |      |
| AVM-M 65/3   | 10         | A          | A  | 235                                      | 123,5 | 108 | 63,5 | 150   | 107 | 132,5 | 62÷74   | 106     | 8,75 | 4              | 14,5 | 12 | 23,5 | 56,5 |
| AVM-M 130/3  | 10         | A          | A  | 235                                      | 123,5 | 108 | 63,5 | 150   | 107 | 132,5 | 62÷74   | 106     | 8,75 | 4              | 14,5 | 12 | 23,5 | 56,5 |
| AVM-M 200/3  | 10         | A          | A  | 235                                      | 123,5 | 108 | 63,5 | 150   | 107 | 132,5 | 62÷74   | 106     | 8,75 | 4              | 14,5 | 12 | 23,5 | 56,5 |
| AVM-M 300/3  | 20         | B          | B  | 289                                      | 150,5 | 134 | 77,5 | 172   | 128 | 150   | 90      | 125     | 13,5 | 4              | —    | 14 | 27   | 71,5 |
| AVM-M 400/3  | 20         | B          | B  | 289                                      | 150,5 | 134 | 77,5 | 172   | 128 | 150   | 90      | 125     | 13,5 | 4              | —    | 14 | 27   | 71,5 |
| AVM-M 500/3  | 30A        | A*         | A*                                       | 286                                      | 190   | 153 | 66,5 | 200,5 | 155 | 185   | 100÷105 | 140÷160 | 12   | 4              | 22,5 | 16 | 38   | 90,5 |
| AVM-M 650/3  | 30A        | A*         | A*                                       | 286                                      | 190   | 153 | 66,5 | 200,5 | 155 | 185   | 100÷105 | 140÷160 | 12   | 4              | 22,5 | 16 | 38   | 90,5 |
| AVM-M 760/3  | 30A        | A*         | A*                                       | 286                                      | 190   | 153 | 66,5 | 200,5 | 155 | 185   | 100÷105 | 140÷160 | 12   | 4              | 22,5 | 16 | 38   | 90,5 |



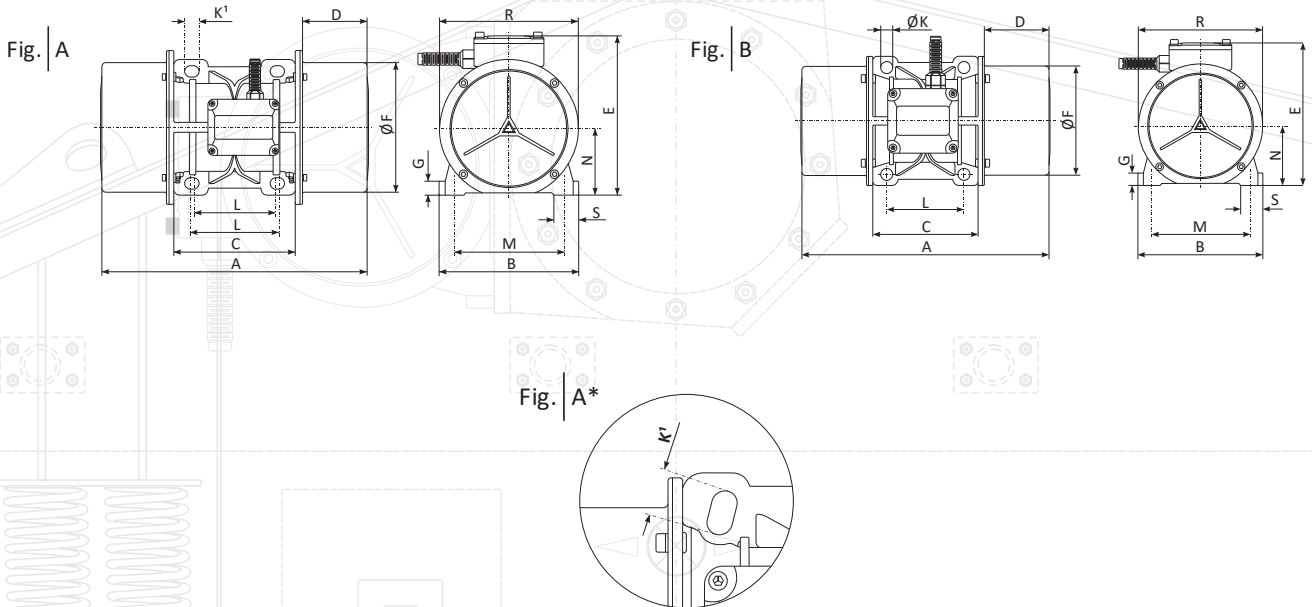
## AVM-M 2 poles 3000rpm-50Hz / 3600rpm-60Hz

| Açıklama / Description |            | Mekanik Özellikler / Mechanical Specifications |      |      |      |   |       |      |      | Elektriksel Özellikler / Electrical Specifications |                                  |      |                                     |              |         |      |
|------------------------|------------|--|------|------|------|---|-------|------|------|--|----------------------------------|------|-------------------------------------|--------------|---------|------|
| Model Type             | Gövde Size | Santrüfaj Kuvveti<br>Centrifugal Force         |      |      |      | (*)Statik Moment<br>Statical Moment (m <sup>1</sup> ) |       |      |      | Ağırlık<br>Weight<br>(Kg)                          | Giriş Gücü<br>Input Power<br>(W) |      | Nominal Akım<br>Nom. Current<br>(A) |              | IA / IN |      |
|                        |            | (Kg/F)   |      | (kN) |      | (Kgmm)  |       | (Kg) |      |  | 50Hz                             | 60Hz | 220V<br>50Hz                        | 115V<br>60Hz | 50Hz    | 60Hz |
|                        |            | 50Hz   | 60Hz | 50Hz | 60Hz | 50Hz  | 60Hz  | 50Hz | 60Hz |  | 50Hz                             | 60Hz | 50Hz                                | 60Hz         | 50Hz    | 60Hz |
| AVM-M 20/15            | 10         | 24   | 27   | 0,23 | 0,26 | 9,5   | 10,7  | 5,0  | 4,8  | 90   | 85                               | 0,35 | 0,40                                | 1,85         | 2,00    |      |
| AVM-M 30/15            | 10         | 33   | 39   | 0,32 | 0,38 | 13,1  | 15,5  | 5,2  | 5,0  | 90   | 85                               | 0,35 | 0,40                                | 1,85         | 2,00    |      |
| AVM-M 60/15            | 10         | 58   | 64   | 0,56 | 0,62 | 23,0  | 25,4  | 5,7  | 5,4  | 90   | 85                               | 0,35 | 0,40                                | 1,85         | 2,00    |      |
| AVM-M 90/15            | 20         | 87   | 94   | 0,85 | 0,92 | 34,6  | 37,3  | 9,4  | 8,4  | 95   | 105                              | 0,40 | 0,65                                | 1,95         | 2,10    |      |
| AVM-M 200/15           | 30A        | 210  | 202  | 2,06 | 1,98 | 83,5  | 80,3  | 14,6 | 14,0 | 180  | 190                              | 0,80 | 1,10                                | 2,42         | 2,90    |      |
| AVM-M 250/15           | 30A        | 242  | 269  | 2,37 | 2,63 | 96,2  | 106,9 | 14,9 | 14,4 | 250  | 270                              | 1,20 | 1,40                                | 3,28         | 3,50    |      |

(\*) Working moment = 2x static moment

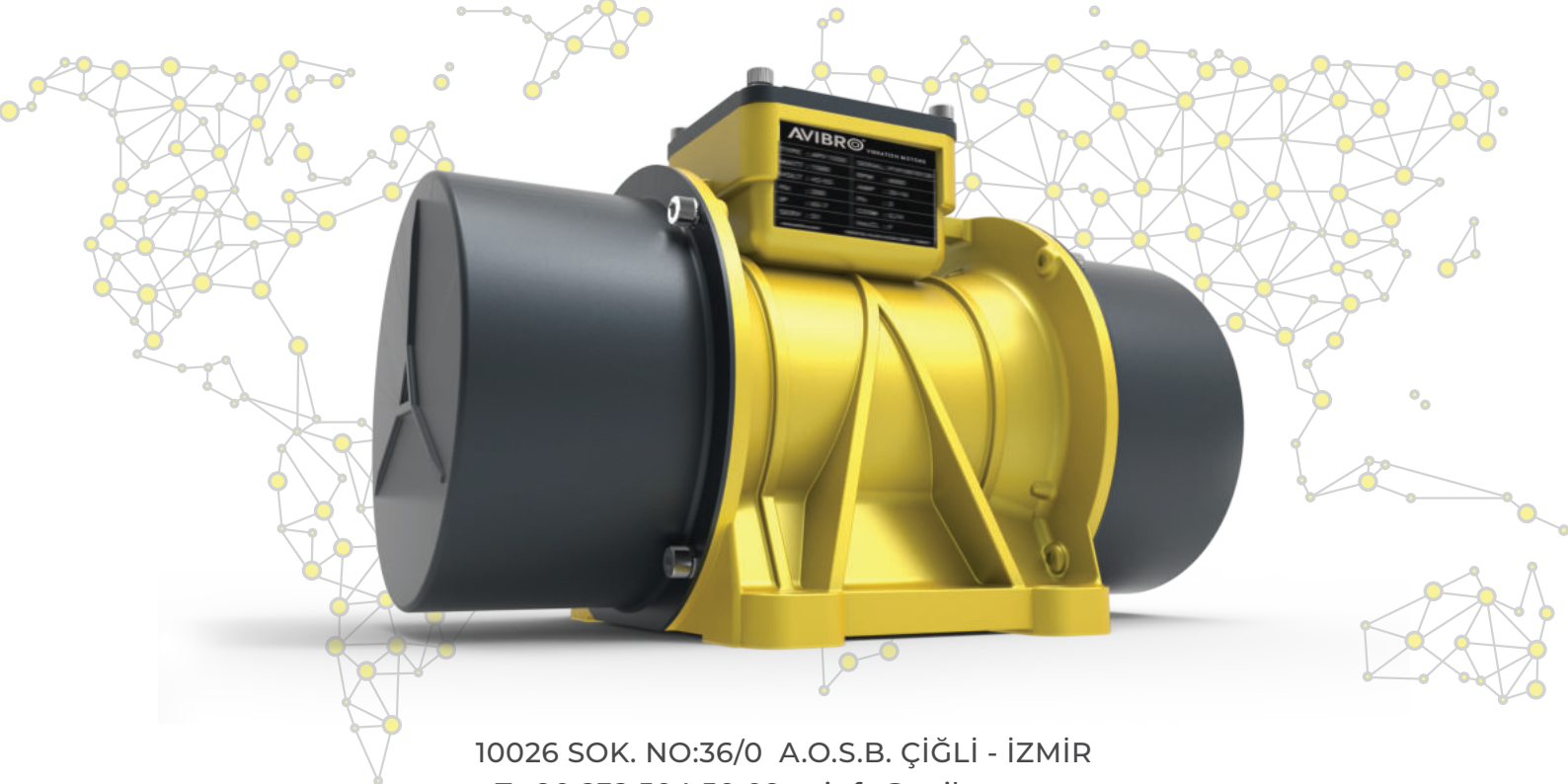
la / ln = başlangıç akımı ile maksimum akım arasındaki oran./ ratio between start-up current and maximum current.

| Model Type | Gövde Size | Fig. | Gövde Ölçüleri - Overall Dimensions (mm) |       |     |      |       |     |       |         |         |        |                |     |        |      |
|------------|------------|------|--|-------|-----|------|-------|-----|-------|---------|---------|--------|----------------|-----|--------|------|
|            |            |      | A  | B     | C   | D    | E     | ØF  | R     | L       | M       | ØK     | K <sup>1</sup> | G   | S      | N    |
|            |            |      | AVM 20/15                                | 10    | A   | 235  | 123,5 | 108 | 63,5  | 150     | 107     | 132,5  | 62÷74          | 106 | 8,75 4 | 14,5 |
| AVM 30/15  | 10         | A    | 235                                      | 123,5 | 108 | 63,5 | 150   | 107 | 132,5 | 62÷74   | 106     | 8,75 4 | 14,5           | 12  | 23,5   | 56,5 |
| AVM 60/15  | 10         | A    | 235                                      | 123,5 | 108 | 63,5 | 150   | 107 | 132,5 | 62÷74   | 106     | 8,75 4 | 14,5           | 12  | 23,5   | 56,5 |
| AVM 90/15  | 20         | B    | 289                                      | 150,5 | 134 | 77,5 | 172   | 128 | 150   | 90      | 125     | 13,5 4 | --             | 14  | 27     | 71,5 |
| AVM 200/15 | 30A        | A*   | 286                                      | 190   | 153 | 66,5 | 200,5 | 155 | 185   | 100÷105 | 140÷160 | 12 4   | 22,5           | 16  | 38     | 90,5 |
| AVM 250/15 | 30A        | A*   | 286                                      | 190   | 153 | 66,5 | 200,5 | 155 | 185   | 100÷105 | 140÷160 | 12 4   | 22,5           | 16  | 38     | 90,5 |



# AVM-M

Teknik Veri | Technical Data



10026 SOK. NO:36/0 A.O.S.B. ÇİĞLİ - İZMİR  
T.+90 232 504 50 09 • info@avibro.com  
[www.avibro.com](http://www.avibro.com)