

MVE-FD “Flanged Drive”



**DESIGNED FOR
HORIZONTAL AND INCLINED
VIBRATING SCREENS**



CONNECTION FLANGE

EASY MAINTENANCE

Straightforward, intuitive design: by eliminating the requirements for hydraulic power and external drive units, removing the drive is quick and easy requiring only a few basic tools to unscrew the fastening bolts. Grease for life; easy change of the vibration intensity



QUICK INSTALLATION

“Plug & play” installation process compared to traditional drive systems: all the necessary drive components are already included inside the drive itself



BUILT TO LAST

The robust design and the first class materials ensure a long life

**VIBRATORS FOR
QUARRY & MINING,
RECYCLING**





MVE-FD 6 poles - 50Hz / 60Hz



Unbalance (InLb)	Model	Size	Poles	Centrifugal Force	rpm	Weight	ELECTRIC FEATURES			
				Lb		Lb	input power	Nominal Current	la/In	Cable Gland
				60 Hz		60 Hz	60 Hz	A	60 Hz	
60 Hz	60hz US.Market			60 Hz	60 Hz	60 Hz	A max. (Y)			
284.0	MVE 11700/6N-FD-80AX A	80	6	11,606	1,200	440.9	5.8	7.5	4.3	M25
349.6	MVE 14500/6N-FD-80AX A	80	6	14,288	1,200	509.3	9.4	12.0	5.3	M25
459.2	MVE 19000/6N-FD-90BP A	90	6	18,764	1,200	727.5	8.7	12.7	6.4	M32
658.8	MVE 27000/6N-FD-91BP A	91	6	26,922	1,200	853.2	10.3	14.5	6.4	M32



MVE-FD 8 poles - 50Hz / 60Hz



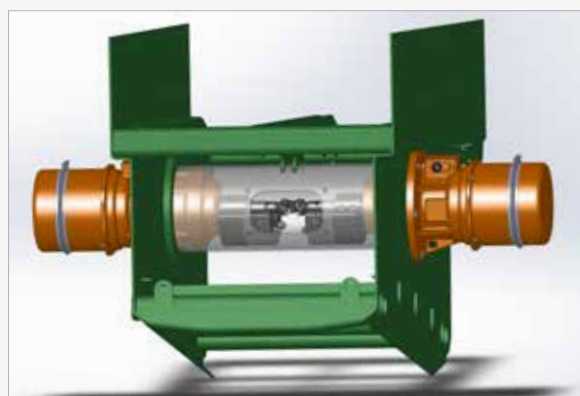
Unbalance (InLb)	Model	Size	Poles	Centrifugal Force	rpm	Weight	ELECTRIC FEATURES			
				Lb		Lb	input power	Nominal Current	la/In	Cable Gland
				60 Hz		60 Hz	60 Hz	A	60 Hz	
60 Hz	60hz US.Market			60 Hz	60 Hz	60 Hz	A max. (Y)			
349.6	MVE 8000/8N-FD-80AX A	80	8	8,037	900	456.3	4.0	6.0	3.5	M25
416.5	MVE 9700/8N-FD-80AX A	80	8	9,573	900	512.1	5.7	8.3	3.6	M25
838.5	MVE 19500/8N-FD-90BP A	90	8	19,274	900	875.5	10.2	12.5	3.5	M32
962.7	MVE 22000/8N-FD-91BP A	91	8	22,127	900	928.1	10.3	13.4	3.5	M32

APPLICATIONS

The FD series have been designed to be used on horizontal, inclined, mobile or fixed vibrating screens. In fact, thanks to their design and performance they can be used on many applications.

LIST OF APPLICATIONS

- Circular / elliptical motion screen
- Circular motion inclined feeders
- Dewatering screen
- Scalping screen
- Vibrating machines and plants for aggregates, soil and minerals processing



Horizontal screen with two FD

DIMENSIONAL SPECIFICATIONS



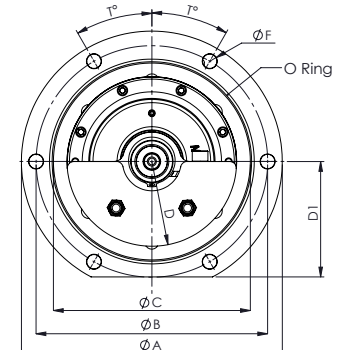
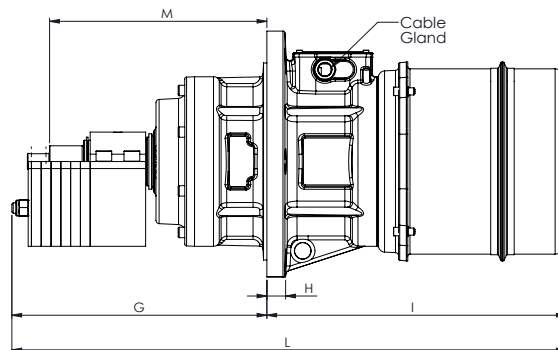
6 POLES		DIMENSIONAL SPECIFICATIONS (inches)															
Model	Size	Holes	Ø A	Ø B	Ø C	D	Ø D1	T	Ø F	G	H	I	L	M	O Ring	Screw	Shaft Edge
60hz US.Market	In	In	In	In	In	In	In	degrees	In	In	In	In	In	In	In	In	In
MVE 11700/6N-FD-80AX A	80	6	15.75	13.98	11.89	5.12	6.97	30	0.87	15.31	1.10	19.72	35.04	13.11	41200		a
MVE 14500/6N-FD-80AX A	80	6	15.75	13.98	11.89	5.12	6.97	30	0.87	16.89	1.10	20.51	37.40	13.11	41200		a
MVE 19000/6N-FD-90BP A	90	12	22.05	19.69	15.75	7.09	10.24	25/27.5	0.87	14.80	1.18	18.11	32.91	13.27	61600	7/8"	b
MVE 27000/6N-FD-91BP A	91	12	22.05	19.69	15.75	7.09	10.24	25/27.5	0.87	18.05	1.18	20.59	38.64	15.43	61600		b

8 POLES		DIMENSIONAL SPECIFICATIONS (inches)															
Model	Size	Holes	Ø A	Ø B	Ø C	D	Ø D1	T	Ø F	G	H	I	L	M	O Ring	Screw	Shaft Edge
60hz US.Market	In	In	In	In	In	In	In	degrees	In	In	In	In	In	In	In	In	In
MVE 8000/8N-FD-80AX A	80	6	15.75	13.98	11.89	5.12	6.97	30	0.87	15.71	1.10	19.72	Holes	13.11	41200		a
MVE 9700/8N-FD-80AX A	80	6	15.75	13.98	11.89	5.12	6.97	30	0.87	18.07	1.10	20.51	38.58	13.11	41200		a
MVE 19500/8N-FD-90BP A	90	12	22.05	19.69	15.75	7.09	10.24	25/27.5	0.87	17.36	1.18	18.11	35.47	13.27	61600	7/8"	b
MVE 22000/8N-FD-91BP A	91	12	22.05	19.69	15.75	7.09	10.24	25/27.5	0.87	19.23	1.18	20.59	39.80	15.43	61600		b

SHAFT EDGE

DIMENSIONAL SPECIFICATIONS (inches)

Type	N	O	Ø P
a	1.34	0.31	0.98
b	1.42	0.47	1.57
Tolerances	± 0.2	H8	g6



ADVANTAGES

DRASTIC REDUCTION OF MAINTENANCE

Maintenance Free. The FD series is greased for life, so lubrication is no longer needed during maintenance.

PLUG & PLAY

The installation of the motors on the application is very simple and fast : in case of extraordinary maintenance, downtime are reduced.

MODULARITY

The use of FD requires few structural elements : both the design phase and the realization of the plant are made simpler.

AN INFILTRATION-PROOF SYSTEM

The FD motors are IP66 : it means that in case you need to replace it, the operations can be performed directly on site without worrying about water infiltration and dust.

BUILT TO LAST

The FD series has been designed and built with the aim of reaching a life time of more than 20,000 hours, in any condition.

VERSATILE

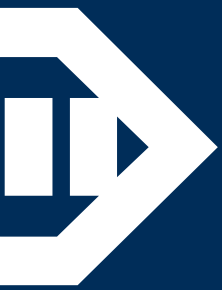
The FD Series can be used with inverters making it a versatile tool and able to meet all the screening requirements.

MVE-FD

PROBLEM SOLVING Avoids the use of through shafts with oil lubrication system.

FEATURES

INPUT VOLTAGE	400V (50Hz) or 460V (60Hz)
AMBIENT TEMPERATURE	-20 °C / + 40 °C
ENCLOSURE PROTECTION	IP 66
THERMAL PROTECTION	PTC Termistor 130 °C
INSULATION CLASS	F



WHEN YOU NEED IT, WHERE YOU NEED IT

THE WORLDWIDE LEADER IN VIBRATION TECHNOLOGY



OLI WORLDWIDE

- | | | | |
|---------------|-----------------|------------------|------------|
| OLI Australia | OLI Germany | OLI Nordic | OLI Turkey |
| OLI Benelux | OLI India | OLI Russia | OLI UK |
| OLI Brazil | OLI Italy | OLI South Africa | OLI USA |
| OLI China | OLI Malta | OLI Spain | |
| OLI France | OLI Middle East | OLI Thailand | |



OLI VIBRATOR

4070 Buford Hwy, Suite # 5
Duluth GA

770-622-1494

sales@olivibrator.com

WWW.OLIVIBRA.US

OLI Headquarters

Medolla (MO) - Italy

info@olivibra.com

WWW.OLIVIBRA.COM