

# MVE-F Flanged vibrators



**SPECIFICALLY DESIGNED  
FOR SIEVES AND INDUSTRIAL APPLICATIONS**

➔ **EASY TO SETUP**

*Easy & intuitive to adjust the direction of the force*

➔ **MAINTENANCE FREE**

*Grease for life*



**MVE "S" - SIEVES SERIES**

*Specifically designed and optimized for circular sieve applications*

**SUPERIOR PERFORMANCE,  
MORE FORCE & MORE EFFECTIVENESS**



**MVE "I" - INDUSTRIAL SERIES**

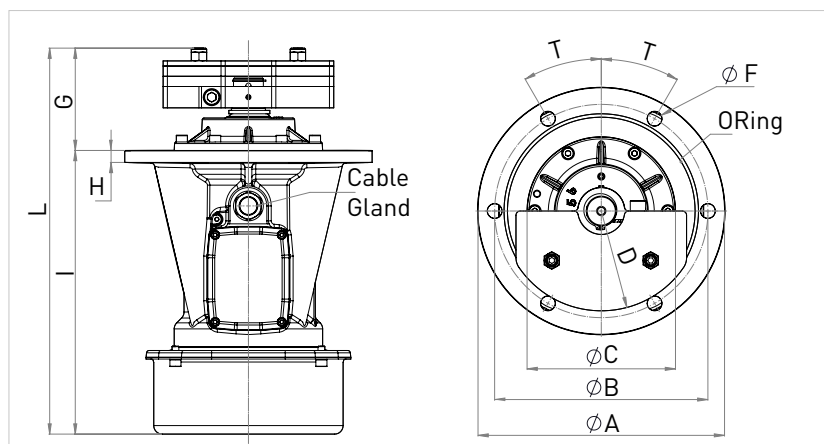
*Developed for any industrial application*

**BUILT TO LAST**



**VIBRATORS FOR  
CIRCULAR VIBRATING  
MACHINES AND  
CIRCULAR SIEVES**





Unbalance (inlb)	Model For U.S. Market	Poles	Centrifugal Force (lb)	UP Centrifugal Force (lb)	DOWN Centrifugal Force (lb)	RPM	Weight (lb)	Input Power (Hp)	Nominal Current A max. (Y)	Ia / In (Ampere)	Cable Gland
60Hz	60Hz	n°	60Hz	60Hz	60Hz	60Hz	60Hz	60Hz	60Hz (460V)	60Hz	Metric
2.60	MVE 1000/2N-SL-40AD A	2	1,006	782	223	3,600	35	0.48	0.6	3.5	M20
6.59	MVE 2400/2N-SL-50AE A	2	2,426	1,899	527	3,600	57	0.78	0.97	4.2	M20
8.85	MVE 3160/2N-SL-60AF A	2	3,256	2,713	542	3,600	90	1.85	2.25	5	M25
9.55	MVE 1000/4N-SL-40AD A	4	886	662	223	1,800	41	0.47	0.86	2.5	M20
18.66	MVE 1720/4N-SL-50AE A	4	1,708	1,325	383	1,800	62	1.05	1.7	3.8	M20
25.61	MVE 2360/4N-SL-50AF A	4	2,370	1,803	567	1,800	68	1.05	1.7	3.8	M20
25.61	MVE 2360/4N-SL-50AG A	4	2,370	1,803	567	1,800	68	1.05	1.7	3.8	M20
35.59	MVE 3350/4N-SL-60AF A	4	3,307	2,570	734	1,800	105	1.48	1.78	4	M25

Model For U.S. Market	Size	DIMENSIONAL SPECIFICATIONS													
		A	B	C	D	T	F	G (in)		H	I	L (in)		Holes	Ø Ring
		in	in	in	in	degrees	in	50Hz	60Hz	in	in	50Hz	60Hz		
60Hz		in	in	in	in	degrees	in	50Hz	60Hz	in	in	50Hz	60Hz		
MVE 1000/2N-SL-40AD A	40	9.1	8.1	5.9	2.9	30	0.5	1.8		0.5	10.1	11.9		6	4700
MVE 2400/2N-SL-50AE A	50	10.2	9.1	6.6	3.6	30	0.6	3.1		0.9	11.7	14.8		6	4800
MVE 3160/2N-SL-60AF A	60	11.4	9.8	6.9	3.6	30	0.7	4.0		0.6	13.1	17.1		6	4850
MVE 1000/4N-SL-40AD A	40	9.13	8.07	5.91	3.07	30	0.51	3.15	2.76	0.47	10.08	13.23	12.83	6	4700
MVE 1720/4N-SL-50AE A	50	10.24	9.06	6.61	3.84	30	0.59	4.07	3.86	0.94	11.73	15.81	15.59	6	4800
MVE 2360/4N-SL-50AF A	50	11.42	9.84	6.61	4.61	30	0.67	3.86		0.94	11.73	15.59		6	4850
MVE 2360/4N-SL-50AG A	50	11.42	10.00	6.61	4.61	45	0.57	3.86		0.94	11.73	15.59		4	4850
MVE 3350/4N-SL-60AF A	60	11.42	9.84	6.85	4.61	30	0.67	5.12	4.33	0.55	13.09	18.21	17.42	6	4850

## FLANGED MOTOVIBRATOR MVE "S" SERIES

**APPLICATION** Circular vibrating sieves.

**PROBLEM SOLVING** Quick and easy installation and maintenance; grease for life.

## FEATURES

**INPUT VOLTAGE** 400V (50Hz) or 460V (60Hz)

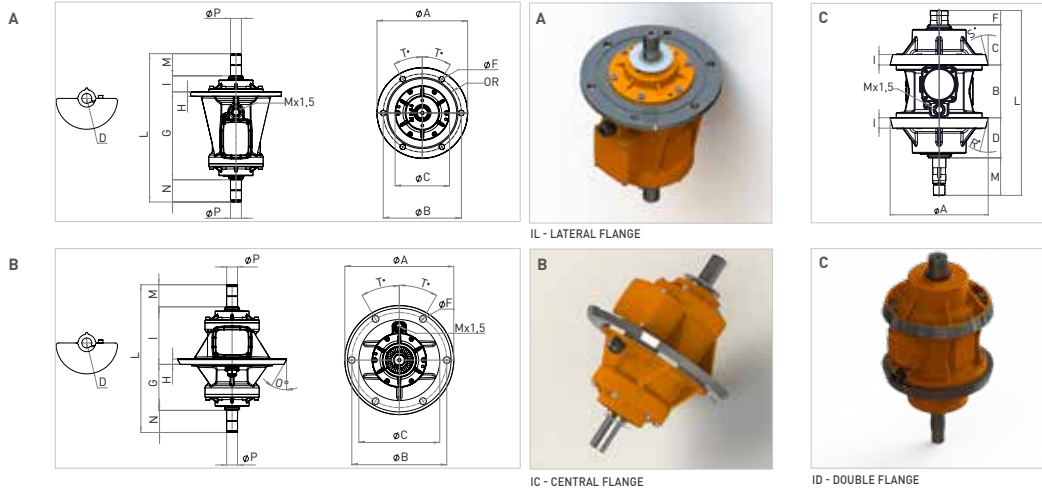
**AMBIENT TEMPERATURE** -20 °C / +40 °C

**ENCLOSURE PROTECTION** IP 66

**THERMAL PROTECTION** PTC Termistor 130 °C (above size 60)

**INSULATION CLASS** F

# MVE "I" (INDUSTRIAL) SERIES



Unbalance (inlb)	Model For U.S. Market	Poles	Centrifugal Force (lb)	UP Centrifugal Force (lb)	DOWN Centrifugal Force (lb)	RPM	Weight (lb)	Input Power (Hp)	Nominal Current A max. (Y)	Ia / In (Ampere)	Cable Gland
60Hz	60Hz		60Hz	60Hz	60Hz	60Hz	60Hz	60Hz	60Hz [460V]	60Hz	Metric
6	MVE 550/4N-IL-30AB A	4	558	279	279	1,800	24	0.2	0.5	2.0	M20
46	MVE 4200/4N-IL-60AF A	4	4,262	2,131	2,131	1,800	110	1.7	2.1	4.9	M25
60	MVE 5500/4N-IL-70AM A	4	5,563	2,781	2,781	1,800	142	3.1	3.3	6.1	M25
85	MVE 7800/4N-IL-75AM A	4	7,837	3,919	3,919	1,800	205	4.0	4.6	6.6	M25
46	MVE 4200/4N-IC-60AM A	4	4,262	2,131	2,131	1,800	123	1.7	2.1	4.9	M25
60	MVE 5500/4N-IC-70AM A	4	5,563	2,781	2,781	1,800	146	3.1	3.3	6.1	M25
85	MVE 7800/4N-IC-75AX A	4	7,837	3,919	3,919	1,800	225	4.0	4.6	6.6	M25
60	MVE 5500/4N-ID-75 C	4	5,512	2,756	2,756	1,800	146	4.0	4.6	6.6	M25

Model For U.S. Market		DIMENSIONAL SPECIFICATIONS																		
60Hz	Fig.	Size	A	B	C	D	E	F	G	H	I	L	M	N	O	P	R	S	Holes	O Ring
			in	in	in	in	degrees	in	in	in	in	in	in	in	degrees	in	in	in		
MVE 550/4N-IL-30AB A	A	30	8	7	5	2	45	1	3	0	9	12	--	--	--	1	--	--	4	4625
MVE 4200/4N-IL-60AF A	A	60	11	10	7	4	30	1	11	1	2	19	3	3	--	1	--	--	6	4850
MVE 5500/4N-IL-70AM A	A	70	14	12	8	5	30	1	12	1	2	21	3	3	--	2	--	--	6	41050
MVE 7800/4N-IL-75AM A	A	75	14	12	9	5	30	1	13	1	3	22	3	3	--	2	--	--	6	41050
MVE 4200/4N-IC-60AM A	B	60	14	12	10	4	30	1	6	1	7	19	3	3	30	1	--	--	6	--
MVE 5500/4N-IC-70AM A	B	70	14	12	10	5	30	1	6	1	8	21	3	3	30	2	--	--	6	--
MVE 7800/4N-IC-75AX A	B	75	16	14	12	5	30	1	7	1	8	22	3	3	15	2	--	--	6	--
MVE 5500/4N-ID-75 C	C	75	11	6	5	5	--	2	-	-	1	22	--	--	--	--	14	14	--	--

## FLANGED MOTOVIBRATOR MVE "I" SERIES ( IL, IC, ID )

**APPLICATION** Circular vibrating machines, circular vibrating sieves.

**PROBLEM SOLVING** Quick and easy installation and maintenance; grease for life.

### FEATURES

**INPUT VOLTAGE** 400V (50Hz) or 460V (60Hz)

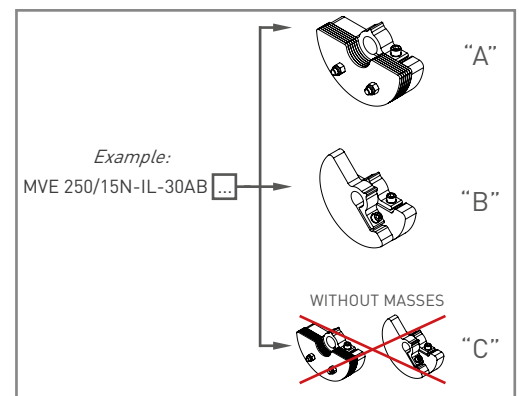
**AMBIENT TEMPERATURE** -20 °C / +40 °C

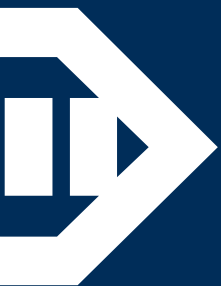
**ENCLOSURE PROTECTION** IP 66

**THERMAL PROTECTION** PTC Termistor 130 °C (above size 60)

**INSULATION CLASS** F

The product code system follows the scheme below:





# WHEN YOU NEED IT, WHERE YOU NEED IT

## THE WORLDWIDE LEADER IN VIBRATION TECHNOLOGY



### OLI WORLDWIDE

OLI Australia	OLI Germany	OLI Nordic	OLI Turkey
OLI Benelux	OLI India	OLI Russia	OLI UK
OLI Brazil	OLI Italy	OLI South Africa	OLI USA
OLI China	OLI Malta	OLI Spain	
OLI France	OLI Middle East	OLI Thailand	



#### OLI VIBRATOR

4070 Buford Hwy, Suite # 5  
Duluth GA

770-622-1494

sales@olivibrator.com

[WWW.OLIVIBRA.US](http://WWW.OLIVIBRA.US)

#### OLI Headquarters

Medolla (MO) - Italy

info@olivibra.com

[WWW.OLIVIBRA.COM](http://WWW.OLIVIBRA.COM)